

AMS

Active Microwave Sensors



eP1

e-P1 | Portable microwave consistency meter

INCREASING
QUALITY

1

IMPROVING
EFFICIENCY

2

MAXIMIZING
RUNNABILITY

3

Quality – Efficiency - Runnability

The e-P1 instrument, thanks to its large range of measurement and outstanding ergonomic design, can measure the water content in every position of the sheet along the forming section of the paper machine.

With its small dimensions, light weight and Bluetooth™ wireless connection to the control app running on a portable device (such as a smartphone or tablet), the forming section survey is made easier and safer.

Unique patented technology

The AMS e-P1 uses a unique patented technology: the Planar Active Microwave Sensor.

This technology, based on a planar microwave resonator, allows the instrument to measure up to 48000 g/m².

Measurements are not affected by the type of fibre, the colour of the paper, temperature, conductivity or vibrations.

Switching the sensor to “FFT” mode increases the sample rate to 1024 samples/s and relevant information can be extracted regarding the vibration and oscillation on the forming section

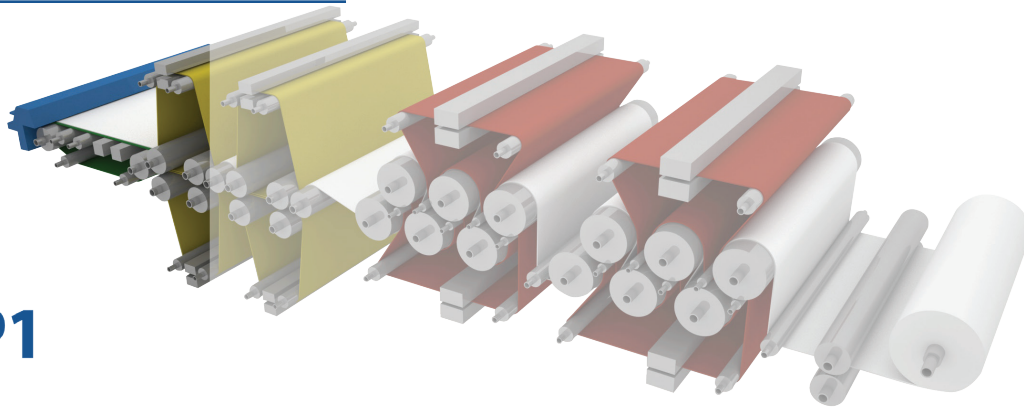


Main Features

- Wide range of measurement from 0 to 48000 g/m²
- Resolution of 10 g/m²
- High repeatability and reliability
- High rate of measurement up to 1024 samples/s (in FFT mode)
- Silicon Nitride ceramic cover for long lasting performance
- Wireless Bluetooth™ connection
- Lithium battery pack
- Ease of use

FORMING BOARD

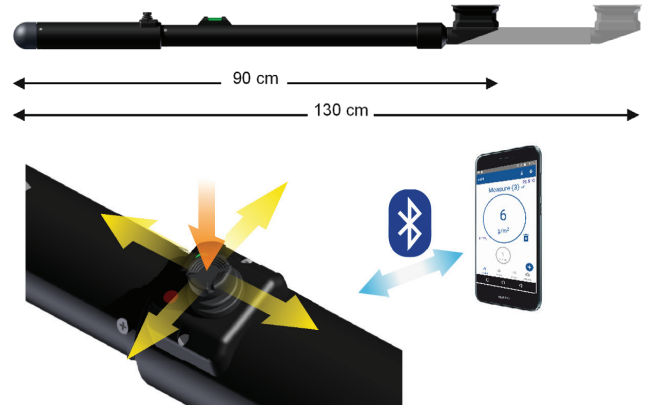
eP1



Flexible positioning

e-P1 is easily adjustable and can be used in all positions where measurements are to be carried out.

Once the measurement position is found on the paper machine, the user can (through the joystick on the instrument) control the smartphone's app features to perform the various measurements.

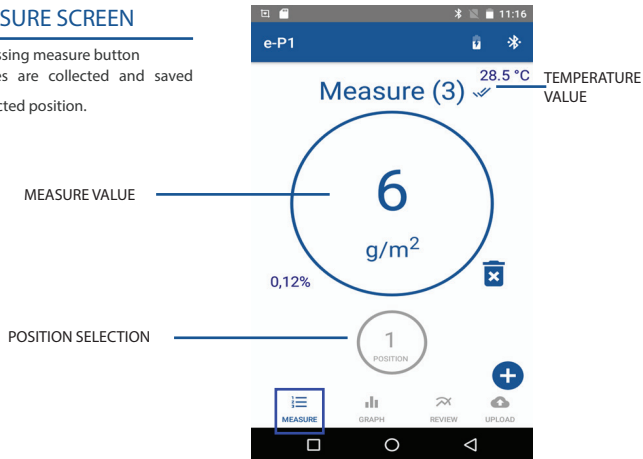


App Data analysis

- Create and manage customer and machine profiles
- Store surveys by date in the selected profile
- Review and compare saved data
- Organise measurements
- Export measurements and send them by email
- Save and share measurements using your favourite cloud storage solution (i.e. Google Drive, Dropbox...)

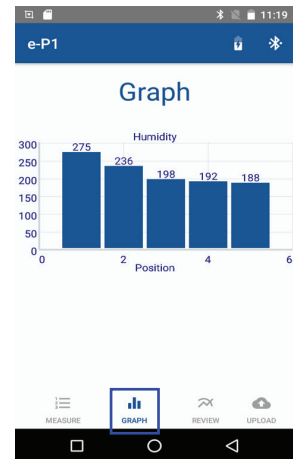
MEASURE SCREEN

By pressing measure button samples are collected and saved in selected position.



GRAPH SCREEN

View or compare all forming board positions values of a given machine



Technical specifications

Measurement specifications

Water content measurement range	g/m ² 0 to 48.000
Resolution	g/m ² 10
Sample rate	up to 1024 Sample/s (in FFT mode)

Environmental

Operating temperature	°C 10-80
Protection grade	IP 68

Mechanical Specification/R1 lab

Weight	Kg 2,2
Dimension (sensor head)	cm 8 X cm 2,4
Length	90 - 130 cm

Accessories



HAND STRAP for Smartphone

Advanced Microwave Engineering s.r.l.

Via Lucca 50/54, Firenze 50142, Italy
 Telefono: +39 055 73921 Fax: +39 055 7392 141 Email: sales@ameol.it
www.ameol.it

AMS_eP1_v18

ACTIVE MICROWAVE
AMS
 MICROWAVE SENSORS

AME
 ADVANCED MICROWAVE ENGINEERING